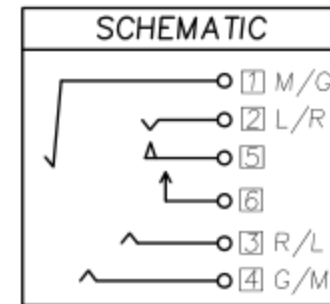
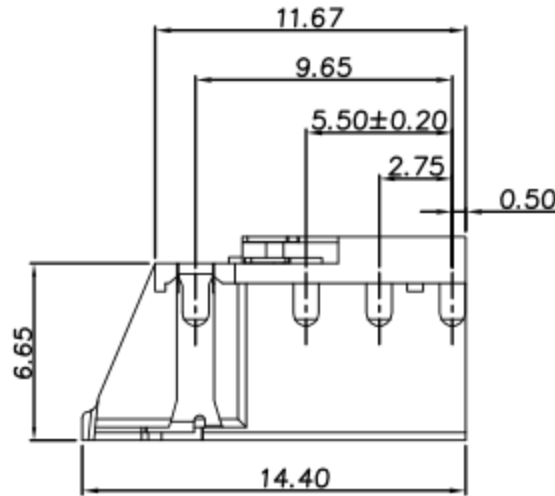
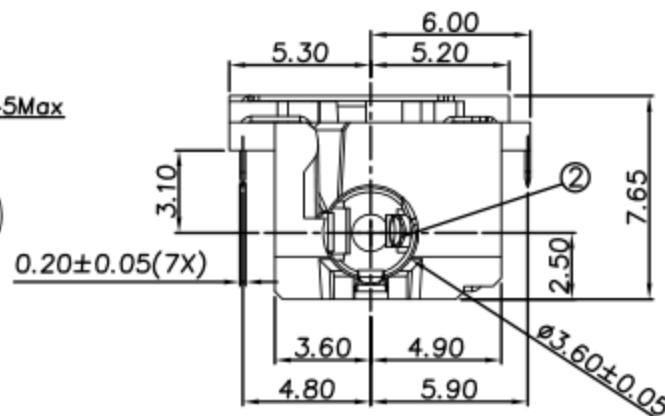
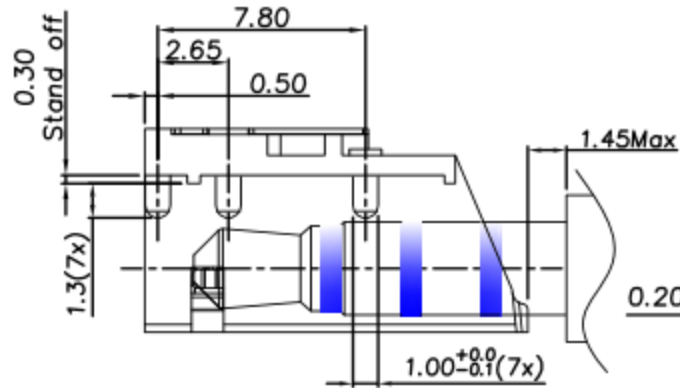
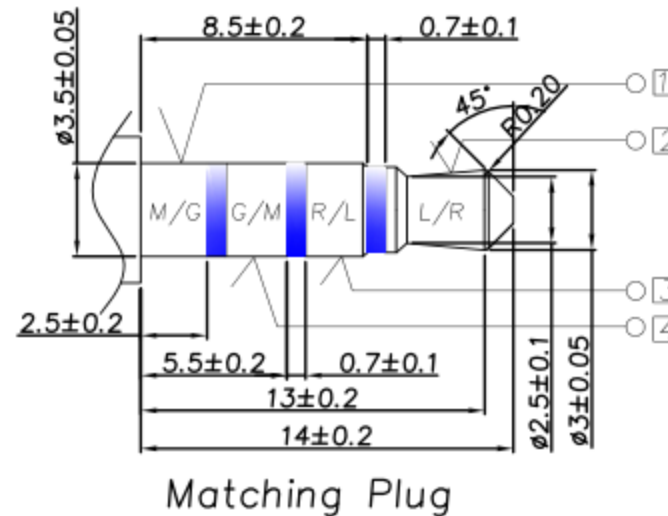
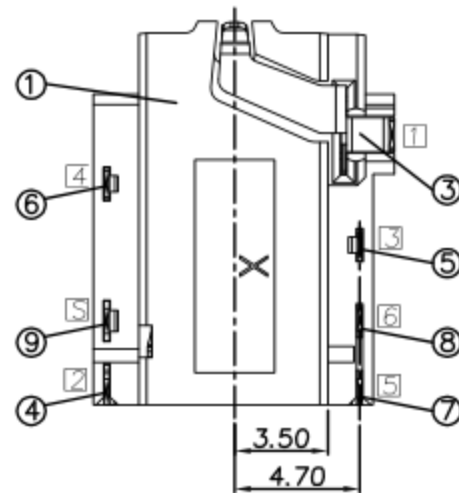
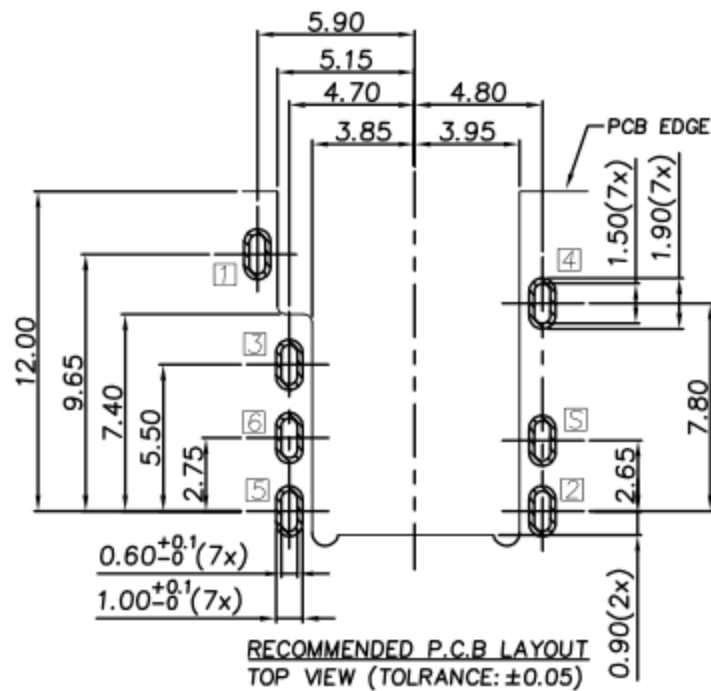


- MODEL NO.:
PJR-D32650-A BK7 AS02 L-RH
 (1) (2) (3) (4) (5) (6)
- (1) Series no.
 - (2) Schematic type: A
 - (3) Housing material and color:
BK7=PA10T(black)
 - (4) Terminal plating:
AS02=1#~4#Gold flash on contact area, Plate Matte tin on solder tail;5#,6# Silver plating.
 - (5) Packing mode:L=Reel packing
 - (6) Environmental requirements:
RH=RoHS & Halogen Free



①: Terminal No.
 ②: Project No.

- SPECIFICATION:
1. Electrical characteristics
 - 1.1. Current rating: DC 0.5A max.
 - 1.2. Voltage rating: DC 30V.
 - 1.3. Contact resistance: $\leq 50m\Omega$ (Initial)
After test: $\leq 100m\Omega$
 - 1.4. Insulation resistance:
100M Ω min. at 500V DC.
 - 1.5. Withstanding voltage:
500V AC for 1 minute.
 2. Mechanical characteristics
 - 2.1. Life test: 5000 cycles min.
 - 2.2. Mating force: 3~30N,
Unmating force: 3~30N.
 3. Temperature range: -40 °C ~ +80 °C



NO.	DESCRIPTION	QTY	MATERIAL	REMARK
⑨	Shield shell	1	C2680, t0.2	Nickel 50u" Min
⑧	Make terminal	1	C5210, 0.20t	5u" Silver, 50u" Ni underplated.
⑦	Transfer Spring	1	C5210, 0.20t	
⑥	Ring spring	1	C5210, 0.20t	Gold Flash on contact area, Plate Matte tin on solder tail, Nickel underplated.
⑤	Ring spring	1	C5210, 0.20t	
④	Tip spring	1	C5210, 0.20t	
③	Earth spring	1	C5210, 0.20t	
②	Separator	1	PA10T UL-94V0	Black
①	Housing	1		Black

ECN NO.	REV	DATE	DESCRIPTION	CHANGE	APPRO.	GENERAL TOLERANCE UNLESS OTHERWISE NOTED	SCALE: 3:1	UNIT:mm	A4	SHEET: 1 of 1	TITLE:	MODEL NO.	FILE NO.
	A-0	2015. 10. 12	NEW	刘伟	余军	Angle $\pm 2^\circ$ 10<L≤20 ± 0.3 5<L≤10 ± 0.25 L≤5 ± 0.20					东莞市高迪电子有限公司	PJR-D32650-ABK7AS02L-RH	Q/SSY. QW-001A-0546